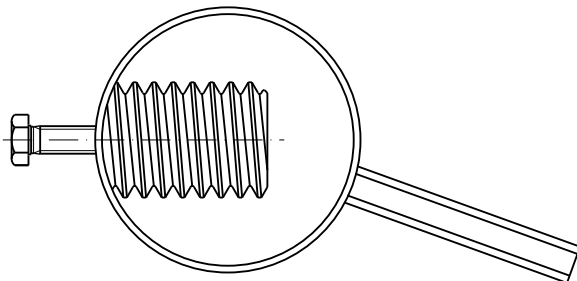


# Śruby z gwintem metrycznym

Болты с метрической резьбой

Bolts with metric thread

011



011.01		011.06	
011.02		011.07	
011.03		011.08	
011.04		011.09	
011.05		011.10	
		011.11	

i

011



012



013



014



015



021



022



023



024



031



032



033



034



035



036



037



038



048



049



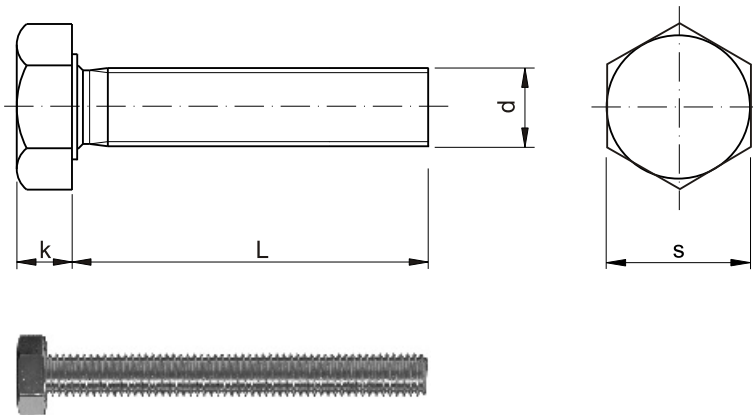
PN-85/M-82105

**011.01**

DIN: 933

ISO: 4017

ZN: 460A

**S6K****Śruba z łbem sześciokątnym****Болт с шестигранной головкой****Hexagonal head bolt**

d	M3	M4	M5	M6	M8	M10	M12	M14	M16	M18	M20	M24
s	5,5	7,0	8,0	10,0	13,0	17,0	19,0	22,0	24,0	27,0	30,0	36,0
k	2,0	2,8	3,5	4,0	5,5	7,0	8,0	9,0	10,0	12,0	13,0	15,0
L												
6	●											
8	●	●	●		●							
10	●	●	●	●	●							
12	●	●	●	●	●							
16	●	●	●	●	●							
20	●	●	●	●	●	●	●					
22	●	●	●	●	●	●	●					
25	●	●	●	●	●	●	●					
30	●	●	●	●	●	●	●	●	●			
35	●	●	●	●	●	●	●	●	●	●		
40	●	●	●	●	●	●	●	●	●	●		
45	●	●	●	●	●	●	●	●	●	●		
50	●	●	●	●	●	●	●	●	●	●	●	●
55				●	●	●	●	●	●	●	●	●
60				●	●	●	●	●	●	●	●	●
65				●	●	●	●	●	●	●	●	●
70				●	●	●	●	●	●	●	●	●
75				●	●	●	●	●	●	●	●	●
80				●	●	●	●	●	●	●	●	●

# Śruba z łbem sześciokątnym na części gwintowana

Болт с шестигранной головкой и неполной резьбой

Hexagonal head bolt, partly threaded

PN-85/M-82101

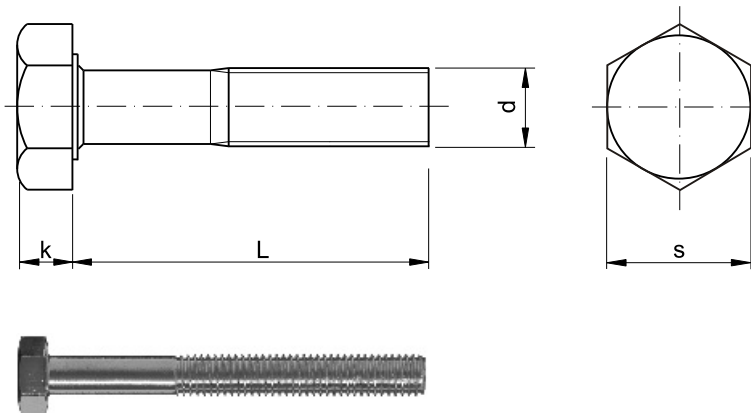
DIN: 931

ISO: 4014

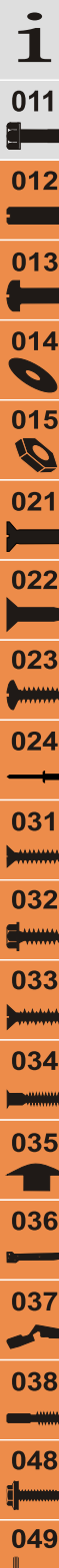
ZN: 460B

011.02

S6K



d	M5	M6	M8	M10	M12	M14	M16	M18	M20	M24
s	8,0	10,0	13,0	17,0	19,0	22,0	24,0	27,0	30,0	36,0
k	3,5	4,0	5,5	7,0	8,0	9,0	10,0	12,0	13,0	15,0
L										
55	●	●	●							
60	●	●	●							
65	●	●	●							
70	●	●	●	●	●	●	●	●	●	●
80	●	●	●	●	●	●	●	●	●	●
90	●	●	●	●	●	●	●	●	●	●
100	●	●	●	●	●	●	●	●	●	●
110	●	●	●	●	●	●	●	●	●	●
120	●	●	●	●	●	●	●	●	●	●
130			●	●	●	●	●	●	●	●
140			●	●	●	●	●	●	●	●
150				●	●	●	●	●	●	●
160				●	●	●	●	●	●	●
170					●	●	●	●	●	●
180					●	●	●	●	●	●
190					●	●	●	●	●	●
200					●	●	●	●	●	●
220					●	●	●	●	●	●
240					●	●	●	●	●	●
260					●	●	●	●	●	●



**i**

011



012



013



014



015



021



022



023



024



031



032



033



034



035



036



037



038



048

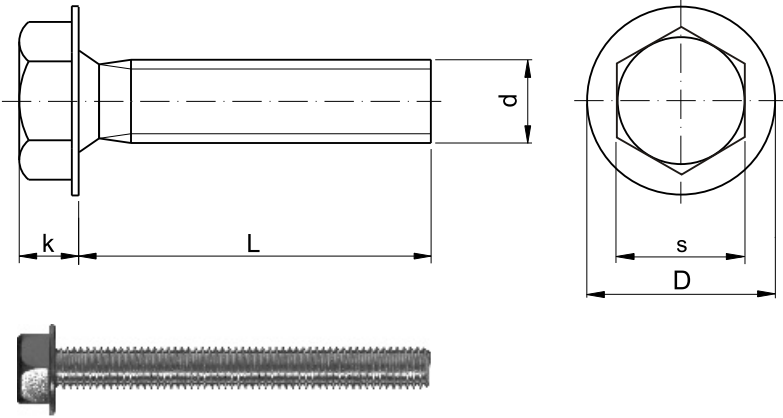


049



ZN: 470A	<b>011.03</b>
	<b>S6P</b>

**Śruba z łbem sześciokątnym z podkładką**  
**Болт с шестигранной головкой с буртиком**  
 Hexagonal washer head bolt



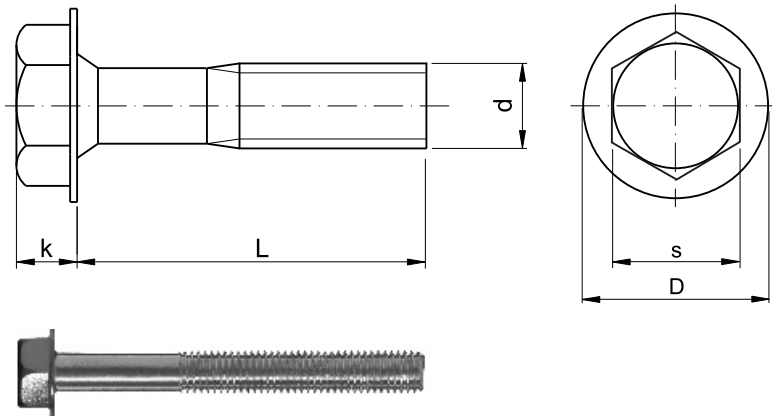
d	M3	M4	M5	M6	M8	M10
s	5,5	7,0	8,0	10,0	13,0	17,0
k	2,7	3,7	4,5	5,2	7,2	8,5
D	7,1	9,1	10,1	12,6	17,1	21,0
L						
6	●					
8	●	●	●			
10	●	●	●	●	●	
12	●	●	●	●	●	
16	●	●	●	●	●	
20	●	●	●	●	●	●
22	●	●	●	●	●	●
25	●	●	●	●	●	●
30	●	●	●	●	●	●
35			●	●	●	●
40			●	●	●	●
45			●	●	●	●
50			●	●	●	●

# Śruba z łbem sześciokątnym z podkładką na części gwintowana

Болт с шестигранной головкой с буртиком и неполной резьбой

Hexagonal washer head bolt, partly threaded

ZN: 470B	<b>011.04</b>
	S6P



d	M3	M4	M5	M6	M8	M10
D	5,5	7,0	8,0	10,0	13,0	17,0
k	2,7	3,7	4,5	5,2	7,2	8,5
s	7,1	9,1	10,1	12,6	17,1	21,0
L						
35	●	●				
40	●	●				
45	●	●				
50	●	●	●	●	●	●
55	●	●	●	●	●	●
60	●	●	●	●	●	●
65	●	●	●	●	●	●
70			●	●	●	●
80		●	●	●	●	●
90			●	●	●	●
100			●	●	●	●
110			●	●	●	●
120			●	●	●	●

- i
- 011
- 012
- 013
- 014
- 015
- 021
- 022
- 023
- 024
- 031
- 032
- 033
- 034
- 035
- 036
- 037
- 038
- 048
- 049

**i**

011



012



013



014



015



021



022



023



024



031



032



033



034



035



036



037



038



048



049

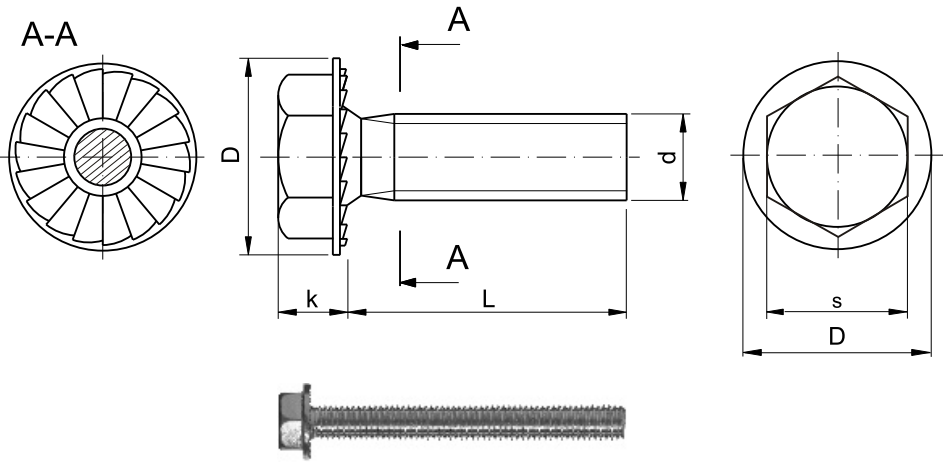


ZN: 475A	<b>011.05</b>
	S6Pz

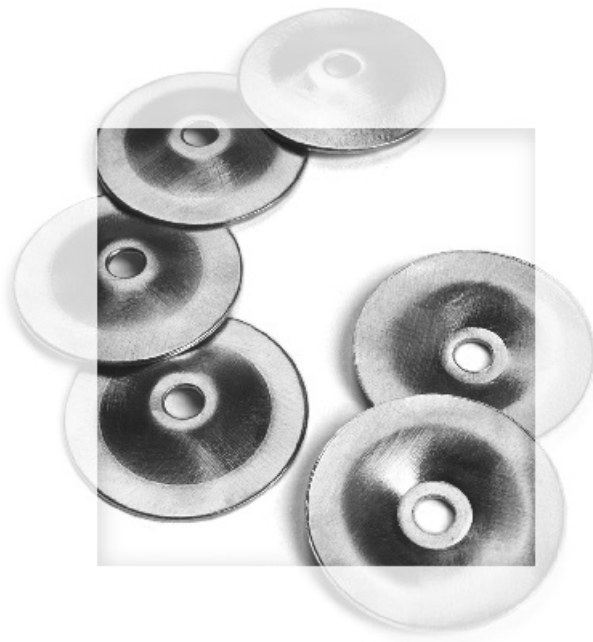
# Śruba z łbem sześciokątnym z podkładką z zabezpieczeniem

Болт с шестигранной головкой со стопорной шайбой

Hexagonal washer serrated head bolt



d	M3	M4	M5	M6	M8	M10
s	5,5	7,0	8,0	10,0	13,0	17,0
k	2,2	3,8	4,6	5,3	7,3	8,6
D	7,1	9,1	10,1	12,6	17,1	21,0
L						
6	●					
8	●	●	●			
10	●	●	●	●	●	
12	●	●	●	●	●	
16	●	●	●	●	●	
20	●	●	●	●	●	●
22	●	●	●	●	●	●
25	●	●	●	●	●	●
30	●	●	●	●	●	●
35			●	●	●	●
40			●	●	●	●
45			●	●	●	●
50			●	●	●	●



i

011



012



013



014



015



021



022



023



024



031



032



033



034



035



036



037



038



048



049



**MARCOPOL**  
marka która łączy

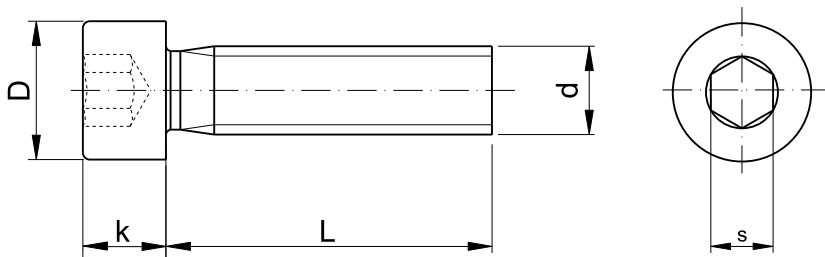
PN-87/M-82302

**011.06**

DIN: 912

ISO: 4762

ZN: 441A

**SIM****Śruba z łbem walcowym z gniazdem sześciokątnym (imbusowym)****Болт с цилиндрической головкой с шестигранным углублением****Hex socket pan head bolt**

d	M3	M4	M5	M6	M8	M10	M12	M16
D	5,5	7,0	8,5	10,0	13,0	16,0	18,0	21,0
k	3,0	4,0	5,5	6,0	8,0	10,0	12,0	14,0
s	2,5	3,0	4,0	5,0	6,0	8,0	10,0	12,0
L								
6	●							
8	●	●	●					
10	●	●	●	●	●			
12	●	●	●	●	●			
16	●	●	●	●	●			
20	●	●	●	●	●	●		
22	●	●	●	●	●	●		
25	●	●	●	●	●	●	●	
30	●	●		●	●	●	●	●
35			●	●	●	●	●	●
40			●	●	●	●	●	●
45			●	●	●	●	●	●
50			●	●	●	●	●	●
60			●	●	●	●	●	●
70			●	●	●	●	●	●
80			●	●	●	●	●	●

# Śruba z łbem walcowym z gniazdem sześciokątnym na części gwintowana

Болт с цилиндрической головкой с шестигранным углублением и неполной резьбой

Hex socket pan head bolt, partly threaded

PN-87/M-82302

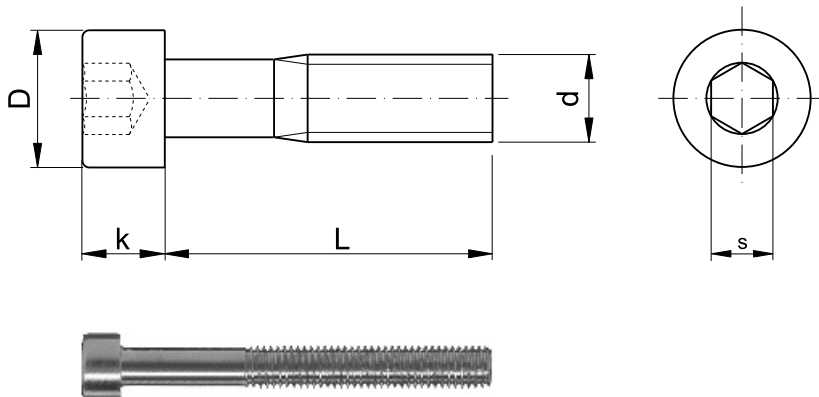
011.07

DIN: 912

ISO: 4762

ZN: 441B

SIM



d	M3	M4	M5	M6	M8	M10	M12	M16
D	5,5	7,0	8,5	10,0	13,0	16,0	18,0	21,0
k	3,0	4,0	5,0	6,0	8,0	10,0	12,0	24,0
s	2,5	3,0	4,0	5,0	6,0	8,0	10,0	12,0
L								
35	●	●						
40	●	●						
45	●							
50	●	●						
55	●	●	●	●	●			
60	●	●	●	●	●			
65	●	●	●	●	●			
70	●	●	●	●	●			
80	●	●	●	●	●	●	●	●
90	●	●	●	●	●	●	●	●
100	●	●	●	●	●	●	●	●
120	●	●	●	●	●	●	●	●
140		●	●	●	●	●	●	●

i

011



012



013



014



015



021



022



023



024



031



032



033



034



035



036



037



038



048



049

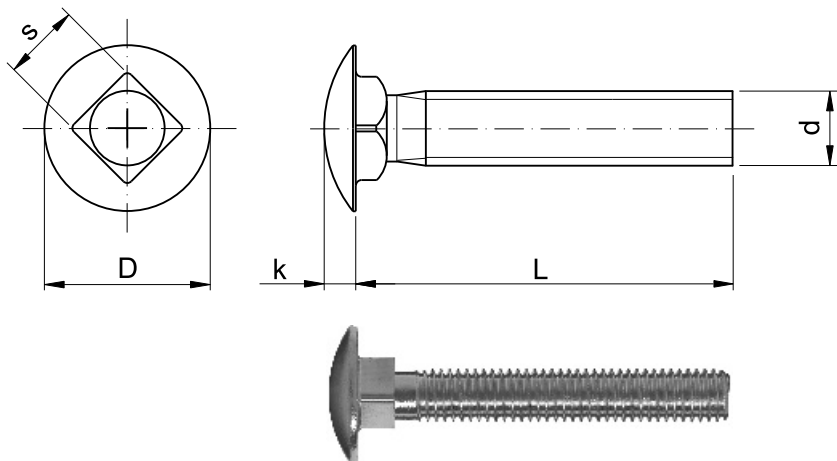


PN-87/M-82406

DIN: 603

**011.08****SZG****Śruba zamkowa z łbem grzybkowym****Болт замковый с грибовидной головкой**

Round head square neck bolt



d	M5	M6	M8	M10	M12
D	13,0	16,0	20,0	24,0	30,0
s	5,0	6,0	8,0	10,0	12,0
k	3,0	3,5	5,0	6,0	8,0
L					
16	●	●			
20	●	●		●	
25	●	●	●	●	
30	●	●	●	●	●
35	●	●	●	●	●
40	●	●	●	●	●
45	●	●	●	●	●

# Śruba zamkowa z łbem grzybkowym na części gwintowana

Болт замковый с грибовидной головкой и неполной резьбой

Round head square neck bolt partly threaded

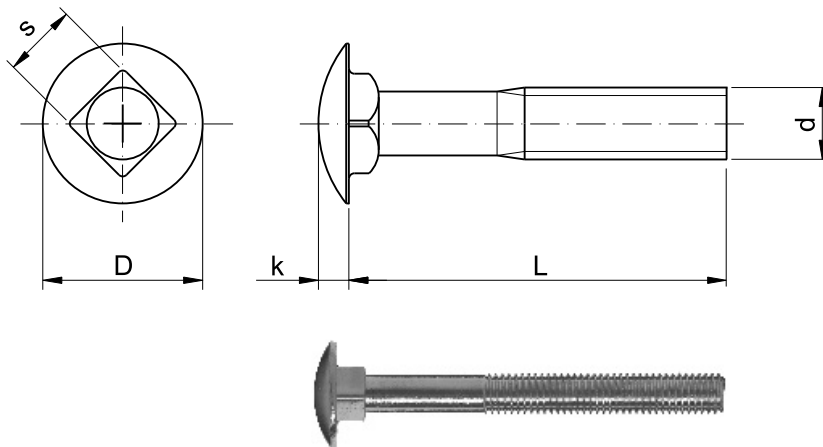
PN-87/M-82406

DIN: 603

ZN: 680A

011.09

SZG



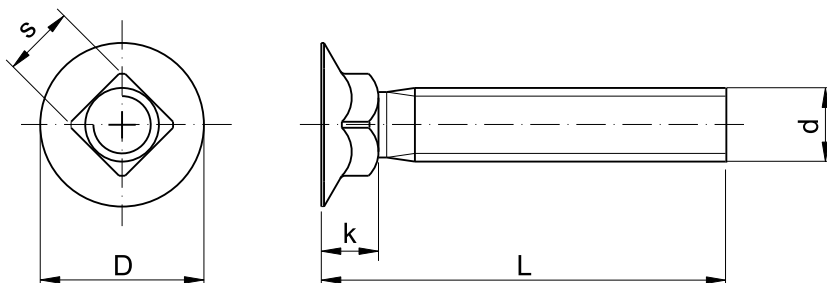
d	M5	M6	M8	M10	M12
D	13,0	16,0	20,0	24,0	30,0
s	5,0	6,0	8,0	10,0	12,0
k	3,0	3,5	5,0	6,0	8,0
L					
50	●	●	●	●	●
60	●	●	●	●	●
70	●	●	●	●	●
80	●	●	●	●	●
90		●	●	●	●
100		●	●	●	●
110		●	●	●	●
120		●	●	●	●
130		●	●	●	●
140		●	●	●	●
150		●	●	●	●
160				●	●
170				●	●
180				●	●
190				●	●
200				●	●
210				●	●

- i
- 011
- 012
- 013
- 014
- 015
- 021
- 022
- 023
- 024
- 031
- 032
- 033
- 034
- 035
- 036
- 037
- 038
- 048
- 049

PN-87/M-82402

**011.10**

ZN: 690A

**SZG****Śruba zamkowa z łbem stożkowym****Болт замковый с потайной головкой****Flat head square neck bolt**

d	M5	M6	M8	M10
D	9,0	11,0	14,0	18,0
s	5,0	6,0	8,0	10,0
k	4,0	5,0	6,0	8,0
L				
20	●	●		
25	●	●		
30	●	●	●	●
35	●	●	●	●
40	●	●	●	●
45	●	●	●	●
50	●	●	●	●

# Śruba zamkowa z łbem stożkowym na części gwintowana

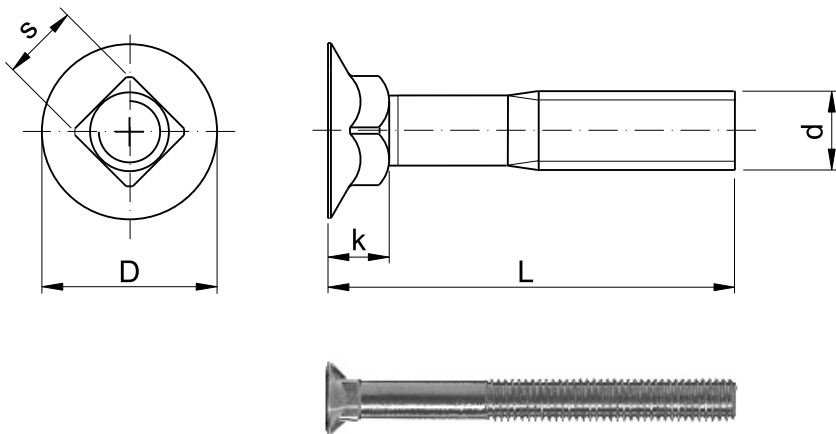
Болт замковый с потайной головкой и неполной резьбой

Flat head square neck bolt partly threaded

PN-87/M-82402

011.11

SZS



d	M5	M6	M8	M10
D	9,0	11,0	14,0	18,0
s	5,0	6,0	8,0	10,0
k	4,0	5,0	6,0	8,0
L				
50	●	●	●	●
60	●	●	●	●
70	●	●	●	●
80	●	●	●	●
90	●	●	●	●
100	●	●	●	●
110	●	●	●	●
120	●	●	●	●
130	●	●	●	●
140	●	●	●	●
150	●	●	●	●

i

011



012



013



014



015



021



022



023



024



031



032



033



034



035



036



037



038



048



049



i

011



012



013



014



015



021



022



023



024



031



032



033



034



035



036



037



038



048



049

